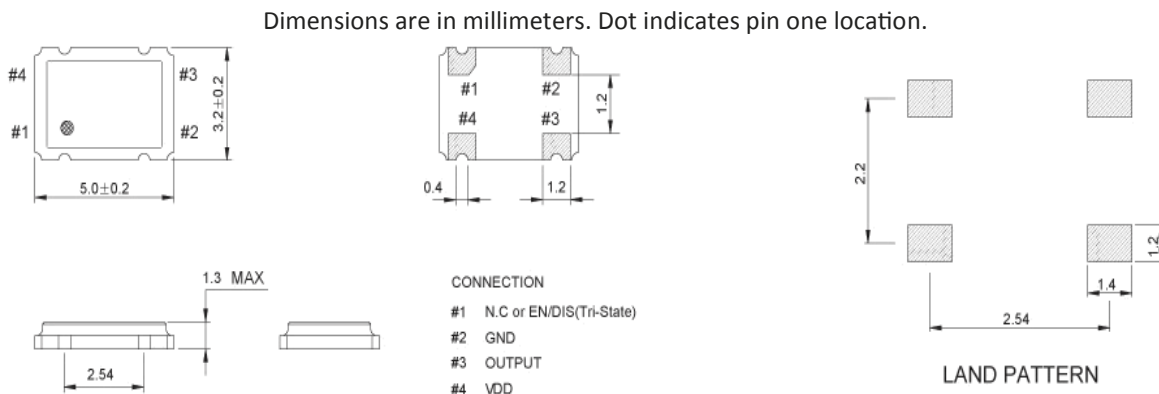


CF53 Series

Clock Oscillator
 5x3.2x1.3mm
 Ceramic SMD
 RoHS Compliant
 HCMOS / TTL Output
 1.8, 2.5, 3.3, or
 5.0VDC
 1.000MHz to
 160.000MHz
 Tristate enabled

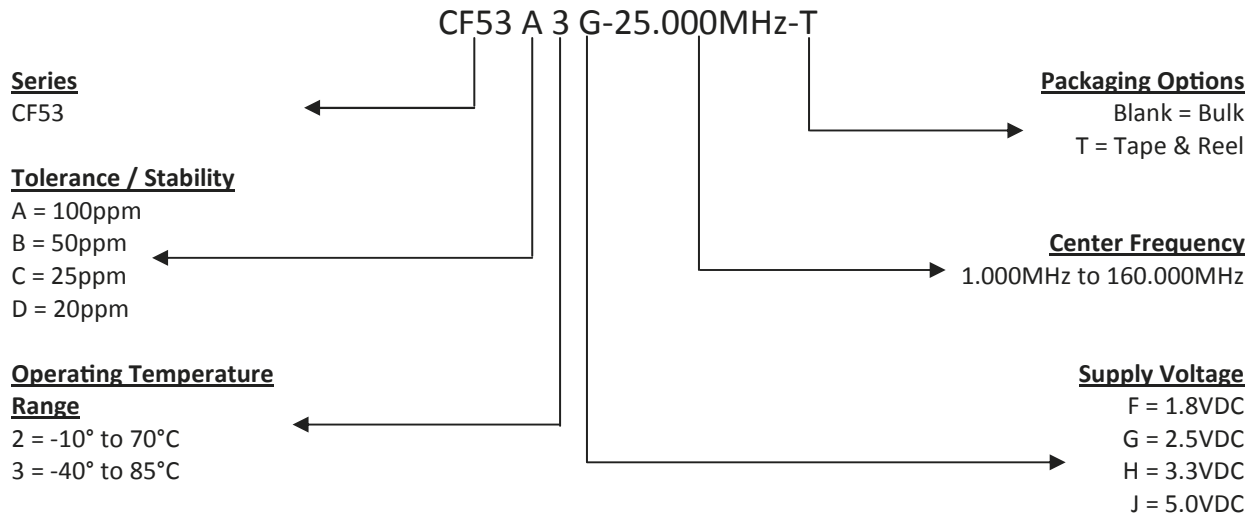
Mechanical Dimensions



Electrical Specifications

Frequency Range		1.000Hz to 160.000MHz
Operating Temperature Range		-10° to 70°C or -40° to 85°C
Storage Temperature Range		-55°C to 125°C
Supply Voltage	V _{DD} ±10%	1.8, 2.5, 3.3, or 5.0
Input Current 1.000MHz to 24.999MHz 25.000MHz to 39.999MHz 40.000MHz to 59.000MHz 60.000MHz to 79.000MHz 80.000MHz to 106.249MHz 106.250MHz to 160.000MHz		<p>Figures Are Max</p> <p>15mA(5V), 10mA(3.3V), 6mA(2.5V), 4mA(1.8V) 20mA(5V), 15mA(3.3V), 8mA(2.5V), 6mA(1.8V) 30mA(5V), 20mA(3.3V), 12mA(2.5V), 10mA(1.8V) 35mA(5V), 25mA(3.3V), 18mA(2.5V), 15mA(1.8V) 50mA(5V), 40mA(3.3V), 30mA(2.5V), 25mA(1.8V) 45mA(3.3V), 35mA(2.5V)</p>
Standby Current		10µA
Frequency Tolerance / Stability		20ppm, 25ppm, 50ppm, or 100ppm
Duty Cycle	50% of Waveform	50 ± 5%
Rise Fall Time		10nSeconds Max
RMS Phase Jitter	12KHz to 20MHz Offset Freq.	1pSecond Max
Startup Time		10mSeconds Max
Tri-State Input Voltage	No Connection V _{IH} ≥ 70% of V _{DD} V _{IH} ≤ 30% of V _{DD}	Enables Output Enables Output Disables Output: High Impedance
Output Voltage Logic High	With TTL Load With HCMOS Load	2.4V Min 90% of V _{DD} Min
Output Voltage Logic Low	With TTL Load With HCMOS Load	0.4V Min 10% of V _{DD} Max

Part Numbering Guide



Part Marking Guide

Line #1	CXX.XXX XX.XXX = Frequency (5 Digits Max + Decimal)
Line #2	XXYYZZ XX = Crescent Manufacturing Identifier YY = Last Two Digits of Year ZZ = Week of Year

Solder Reflow

