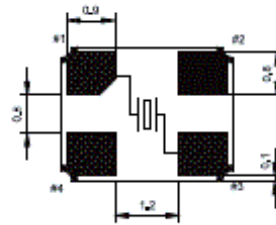
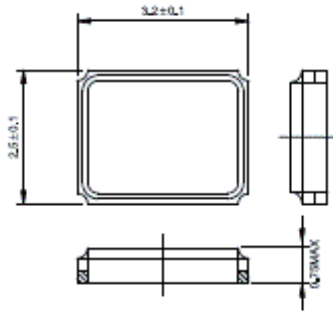


# CFH Series Crystal

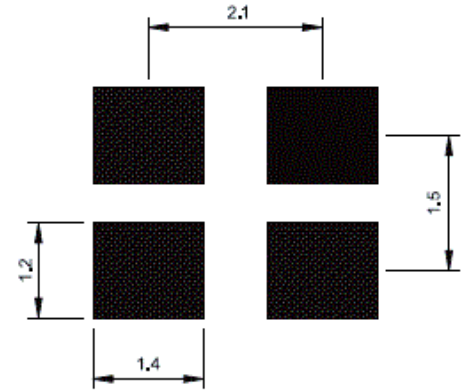
3.2x2.5x.80mm  
Ceramic SMD  
RoHS Compliant  
12.000MHz to  
50.000MHz

## Mechanical Dimensions



**CONNECTION**

- #1 X-TAL
- #2 GND
- #3 X-TAL
- #4 GND



Dimensions are in millimeters

## Electrical Specifications

Frequency Range		12.00MHz to 50.000MHz
Operating Temperature Range		-10° to 60°C, -20 to 70°C or -40° to 85°C
Storage Temperature Range		-55°C to 125°C
Aging		±5ppm / Year Max
Shunt Capacitance		7pF Max
Insulation Resistance		500 MΩ@ DC100V

Frequency	ESR	Mode
12.00MHz to 13.999MHz	<150Ω	Fundamental
14.000MHz to 15.999MHz	<100Ω	Fundamental
16.000MHz to 19.999MHz	<80Ω	Fundamental
20.000MHz to 29.999MHz	<60Ω	Fundamental
30.000MHz to 54.000MHz	<50Ω	Fundamental

Part Marking	
Line 1	CXX.X
XX.XXX = Frequency	
Line 2	YY ZZ
YY = Week of Year ZZ = Year	

## Part Numbering Guide

