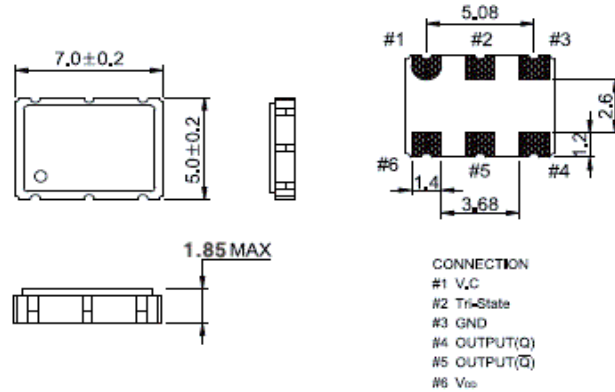


CV57L VCXO

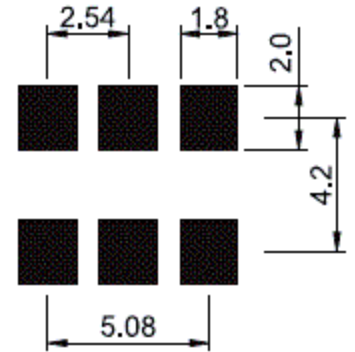
5.0x7.0mm SMD
Ceramic 6 Pad
RoHS Compliant
Differential LVDS
2.5 or 3.3VDC
19.000 to
300.000MHz
VC on Pin 1

Mechanical Dimensions

Dimensions are in millimeters. Dot indicates pin one location.



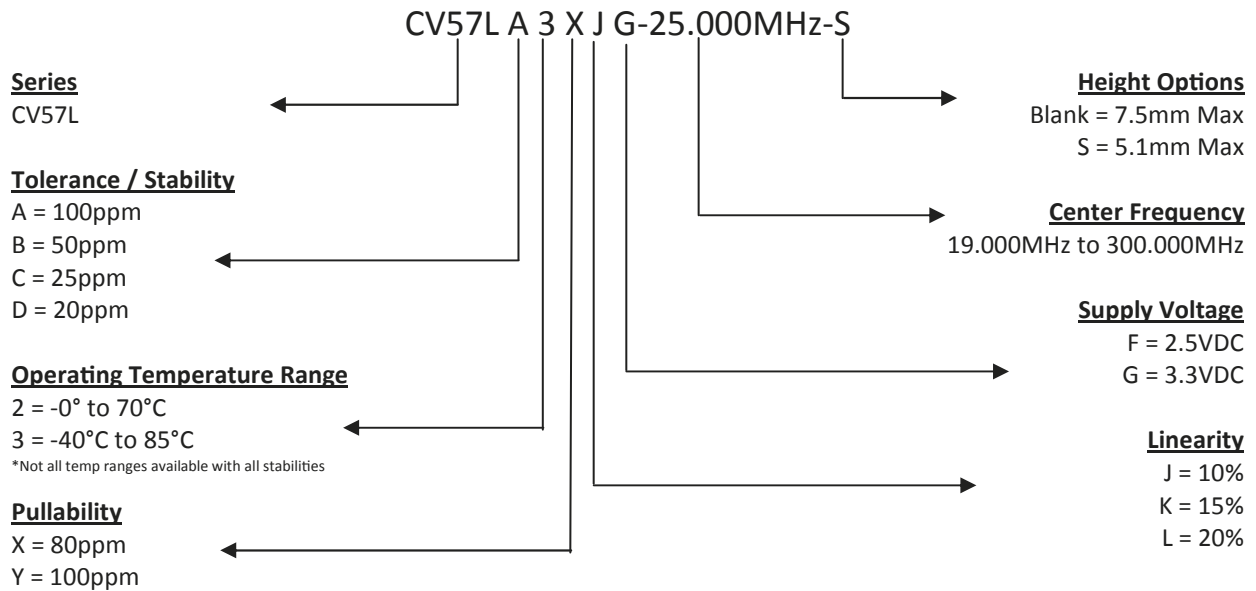
Land Pattern



Electrical Specifications

Frequency Range	19.000—77.760MHz (Fundamental)	77.761.-300.000MHz (Multiplied)
Stability	20ppm, 25ppm, 50ppm, or 100ppm*	
Operating Temperature Range	0°C to 70°C or -40°C to 85°C*	
Storage Temperature	-55°C to 125°C	
Output	Differential LVDS	
Supply Voltage	2.5Vdc ± 5% or 3.3Vdc ± 5%	
Input Current	65mA (2.5V), 80mA (3.3V) Max	80mA Max
Frequency Deviation	80PPM or 100PPM	
Linearity	±20%, ±15%, or ±10%	
Duty Cycle	50 ± 5%	
Output Voltage Logic Low	1.1V Max	
Output Voltage Logic High	1.4V Min	
Output Differential Voltage	247 ~ 454mV, 350mV Typical	
Offset Voltage	1.125 ~ 1.375V, 1.2V Typical	
Rise / Fall Time	700ps Typical, 1.5ns Max (20 to 80% of waveform)	
Output Enable High	0.7V _{dd}	
Output Enable Low	0.3V _{dd}	
Start Time	10ms Max	
Phase Jitter (12KHz to 20MHz)	1pS Max	4pS Max
Input Current	100mA Max	

Part Numbering Guide



Part Marking Guide

Line #1	CV57L
Line #2	XX.XXX M XX.XXX = Frequency (5 Digits Max + Decimal) M = Frequency Unit Of Measure (MHz)
Line #3	XX YY ZZ XX = Crescent Manufacturing Identifier YY = Last Two Digits of Year ZZ = Week of Year

Environmental & Mechanical

Shock	Mil-STD-883, Method 2002, Condition B
Solderability	Mil-STD-883, Method 2003
Solvent Resistance	Mil-STD-883, Method 215
Vibration	Mil-STD-883, Method 2007, Condition A