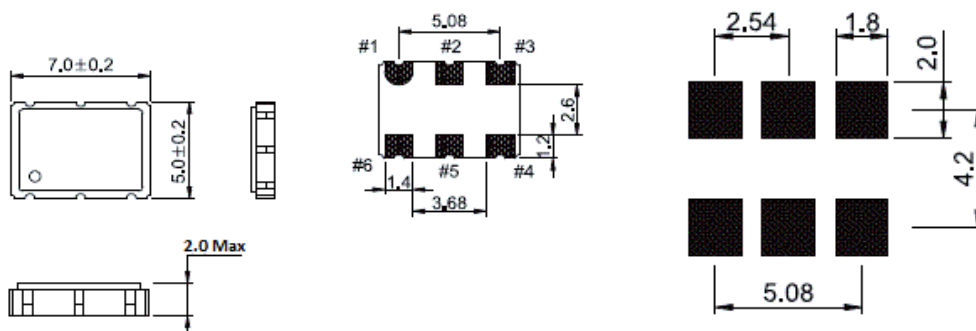


5x7 Ceramic 6 Pad  
RoHS Compliant  
LVPECL  
2.5V or 3.3V  
50.000MHz to  
1.5.000GHz  
Single or Dual Frequency

## CVM57P Dual Frequency VCXO

Dimensions are in millimeters. Dot indicates pin one location.

Land Pattern



## Electrical Specifications

Frequency Range		50.000MHz to 1.500GHz
Operating Temperature Range		0°C to 70°C, -20° to 70°C or -40° to 85°C
Storage Temperature Range		-55°C to 125°C
Supply Voltage	VDD ±5%	2.5 Or 3.3
Waveform		LVPECL
Supply Current		54mA Typical
Load		50Ω
Frequency Tolerance / Stability	Inclusive of Operating Temp Range, Supply Voltage and Load	10 ,20, 25, 50 Or 100ppm
Duty Cycle	50% of Waveform	50 ± 5%
Rise Fall Time		250 pSecond Max
Period Jitter (RMS)		<2.5pSecond Max
Phase Jitter	12KHz to 20MHz	<1.0pSecond Typical
Startup Time		10mSeconds Max
Vol	2.50 VDC 3.30 VDC	.800V Typical 1.6V Typical
Voh	2.50 VDC 3.30 VDC	1.55V Typical 2.35V Typical
Differential Voltage		.750V Typical
Control Voltage	2.50 VDC 3.30 VDC	1.25VDC ±1.00VDC 1.65VDC ± 1.50VDC
Pullability		±100ppm
Linearity		10ppm
Tri-State	VIH≥70% of VDD VIH≤30% of VDD	Enables Output Disables Output: High Impedance
Tristate Current Consumption	Disabled	16mA
Aging		±5.0ppm First Year

Part Marking	
Line #1	CVM57P
Line #2	XX.XXX M XX.XXX = Frequency (5 Digits Max + Decimal) M = Frequency Unit Of Measure (MHz)
Line #3	XX YY ZZ XX = Crescent Manufacturing Identifier YY = Last Two Digits of Year ZZ = Week of Year

Pad Connections	
Pad 1	VC
Pad 2*	Tristate or Frequency Select
Pad 3	Ground
Pad 4	Output
Pad 5	Complimentary Output
Pad 6	Supply Voltage

\*No Tristate With Dual Frequency

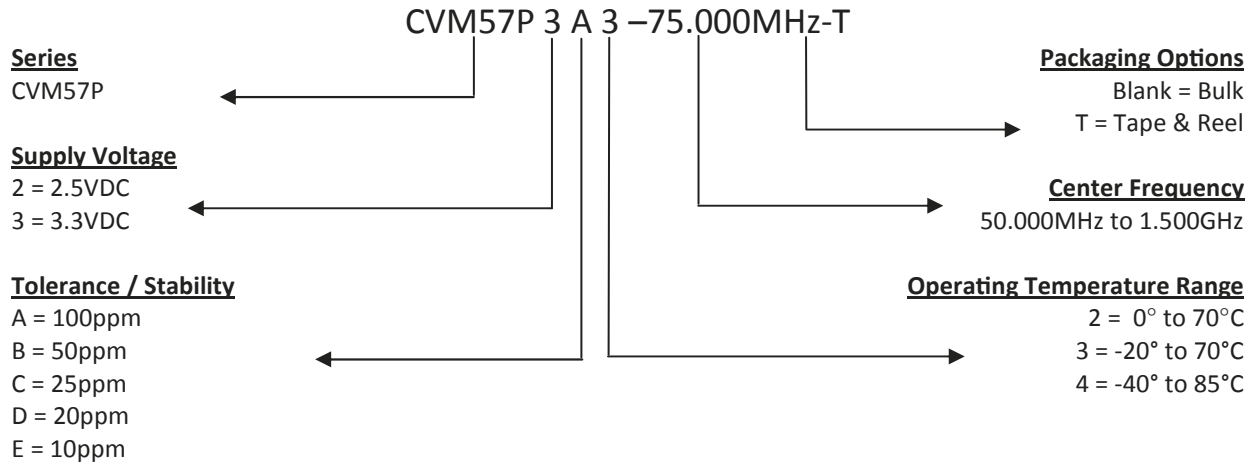
Single Frequency Reference Table		
Pin 1	Pin 2	Corresponding Frequency
VC	Tristate	Frequency 1

Dual Frequency Reference Table		
Pin 1	Pin 2	Corresponding Frequency
VC	Logic "0"	Frequency 1
VC	Logic "1"	Frequency 2

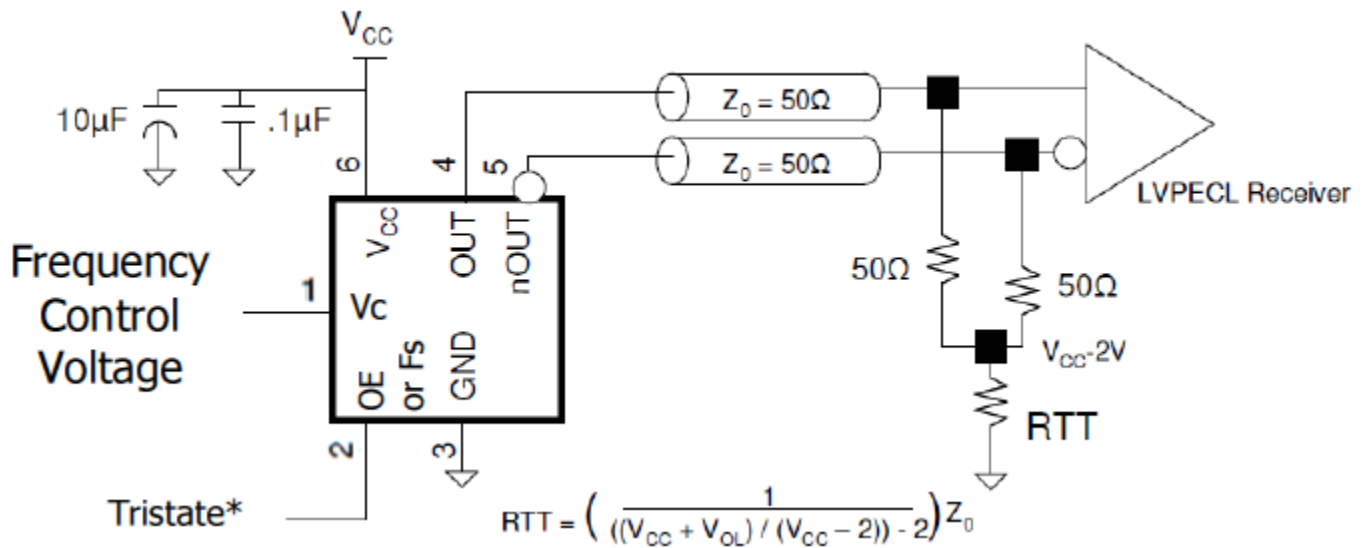
Phase Noise	
Offset Frequency	70.000MHz
100Hz	-88dBc/Hz
1KHz	-115dBc/Hz
10KHz	-120dBc/Hz
100KHz	-125dBc/Hz
1MHz	-130dBc/Hz
10MHz	-145dBc/Hz

Mechanical / Environmental	
Shock	MIL-STD-883, Method 2002 Cond B
Solvent Resistance	MIL-STD-202, Method 215
Solderability	MIL-STD-883, Method 2003
MSL	Level 1 Per IPC/JEDEC J-STD 20
Gross Leak Test	MIL-STD-883, Method 1014, Cond C
Fine Leak Test	MIL-STD-883, Method 1014, Cond A2
Vibration	MIL-STD-883, Method 2007, Cond A

## Part Numbering Guide



## Test Set Up



Pin 2 is Frequency Select With Dual Frequency