

CXM57C Series Multiple Frequency Oscillator

5x7 Ceramic 6 Pad

RoHS Compliant

CMOS

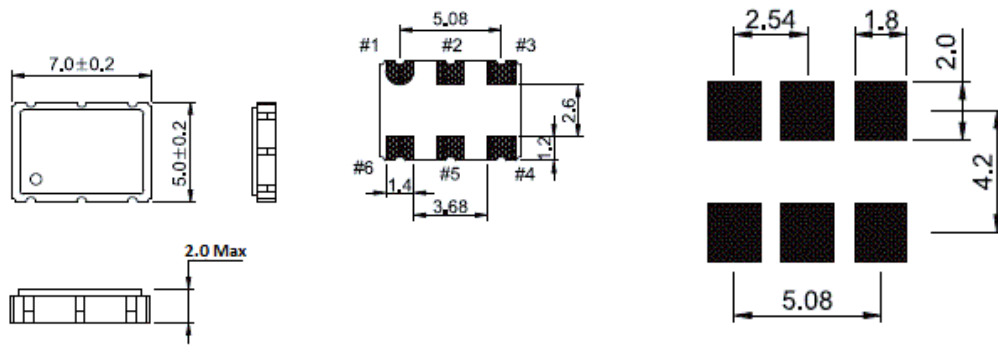
2.5V or 3.3V

10.000MHz to 250.000MHz

Up To Four Frequencies

Dimensions are in millimeters. Dot indicates pin one location.

Land Pattern



Electrical Specifications

Frequency Range		10.000MHz to 250.000MHz
Operating Temperature Range		0°C to 70°C, -20° to 70°C or -40° to 85°C
Storage Temperature Range		-55°C to 125°C
Supply Voltage	VDD ±5%	2.5 Or 3.3
Waveform		CMOS
Supply Current	2.5VDC 3.3VDC	20mA Typical 25mA Typical
Load	2.5VDC 3.3VDC	15pF HCMOS 10 TTL Gates or 30pF HCMOS
Frequency Tolerance / Stability	Inclusive of Operating Temp Range, Supply Voltage and Load	10ppm,20ppm, 25ppm, 50ppm Or 100ppm
Duty Cycle	50% of Waveform	50 ± 5%
Rise Fall Time		4nSecond Max
Period Jitter (RMS)		<2.5pSecond Max
Phase Jitter	12KHz to 20MHz	<1.0pSecond Typical
Startup Time		10mSeconds Max
Vol		10% Vdd Max
Voh		90% Vdd Min
Tri-State	VIH≥70% of VDD VIH≤30% of VDD	Enables Output Disables Output: High Impedance
Tristate Current Consumption	Disabled	16mA
Aging		±5.0ppm First Year

Part Marking	
Line #1	CXM57C
Line #2	XX.XXX M XX.XXX = Frequency (5 Digits Max + Decimal) M = Frequency Unit Of Measure (MHz)
Line #3	XX YY ZZ XX = Crescent Manufacturing Identifier YY = Last Two Digits of Year ZZ = Week of Year

Pad Connections		Single Frequency
Pad 1	See Reference Table	Tristate or Frequency Select
Pad 2*	See Reference Table	No Connection
Pad 3	Ground	Ground
Pad 4	Output	Output
Pad 5	No Connect	No Connect
Pad 6	Supply Voltage	Supply Voltage

Dual Frequency Reference Table	
Pin 2	Corresponding Frequency
Ground	Frequency 1
Vdd	Frequency 2

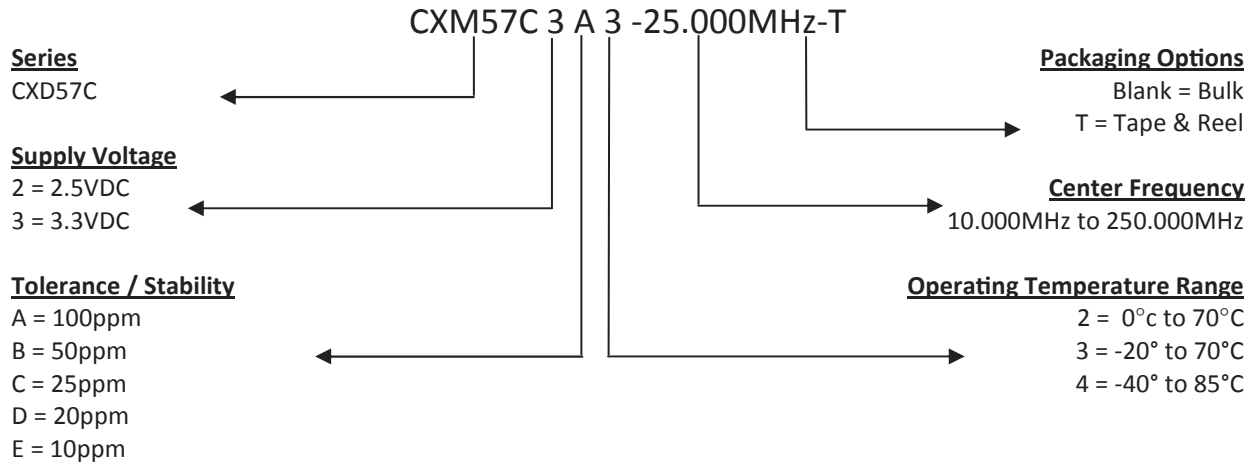
Quad Frequency Reference Table		
Pin 1	Pin 2	Corresponding Frequency
Ground	Ground	Frequency 1
Ground	Vdd	Frequency 2
Vdd	Ground	Frequency 3
Vdd	Vdd	Frequency 4

Phase Noise	
Offset Frequency	70.000MHz Output
100Hz	-88dBc/Hz
1KHz	-115dBc/Hz
10KHz	-120dBc/Hz
100KHz	-125dBc/Hz
1MHz	-130dBc/Hz
10MHz	-145dBc/Hz

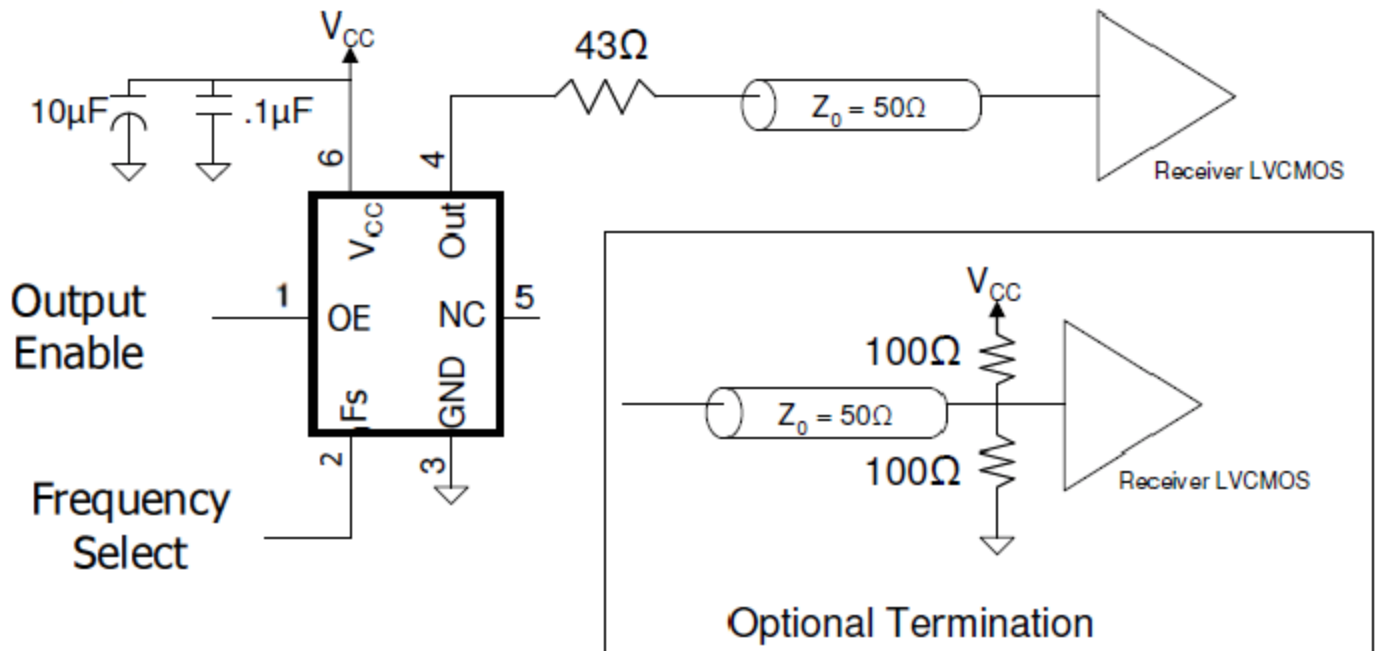
Mechanical / Environmental	
Shock	MIL-STD-883, Method 2002 Cond B
Solderability	MIL-STD-202, Method 215
Solderability	MIL-STD-883, Method 2003
MSL	Level 1 Per IPC/JEDEC J-STD 20
Gross Leak Test	MIL-STD-883, Method 1014, Cond C
Fine Leak Test	MIL-STD-883, Method 1014, Cond A2
Vibration	MIL-STD-883, Method 2007, Cond A

- * Tristate Option Available
- ** No Tristate With Quad Frequency
- *** External Bypass Capacitor Recommended

Part Numbering Guide



Test Set Up



Pin 2 is Frequency Select With Dual Frequency